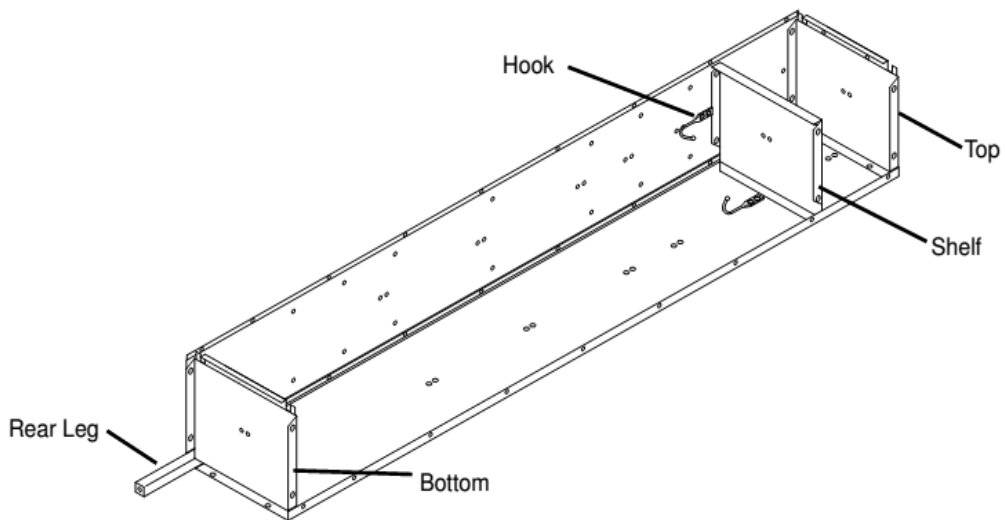
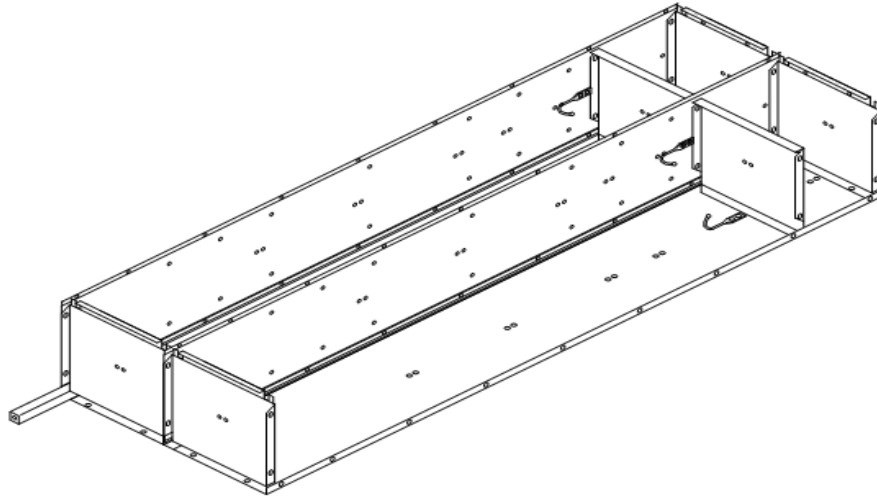


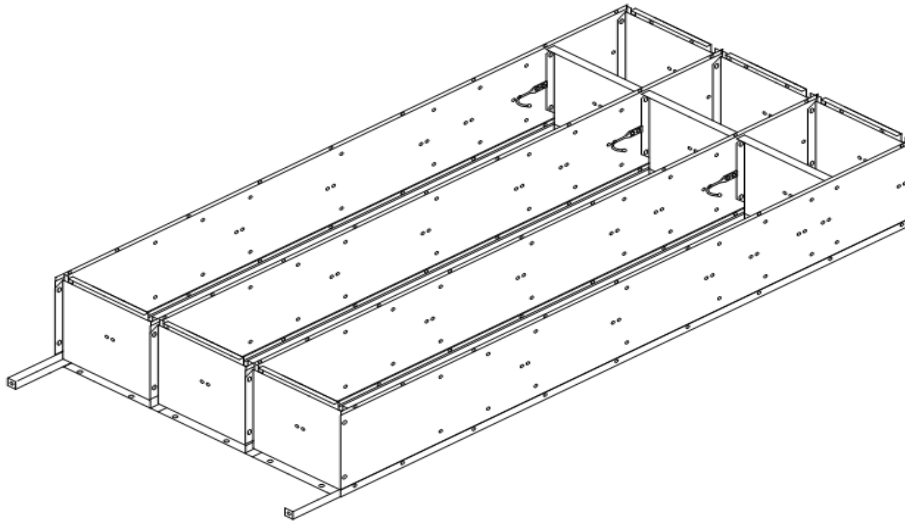
Locker Assembly



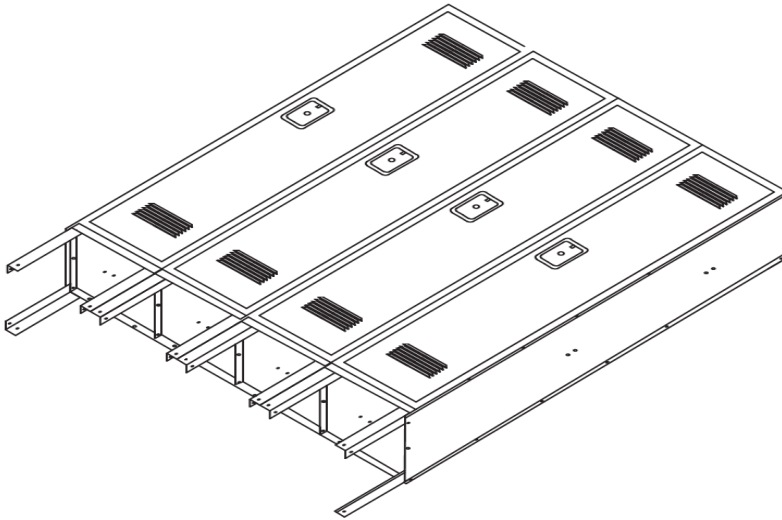
- 1) Lay Back Panel on floor or Saw Horses with flanges facing up. Bolt hook to back panel and Bolt top and bottom to back panel.
- 2) Bolt side panel inside of back panel flange. If legs are needed bolt leg to bottom of back panel and side panel. Bolt hook and shelf to side panel.



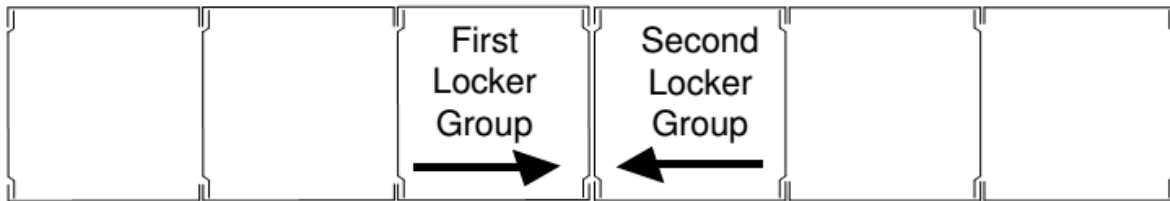
- 3) Bolt hook on the next back. Bolt top and bottom to the next back.
- 4) Bolt side panel, top, bottom, and the next back to the first assembled section
- 5) Bolt shelf and hooks on both sides of the second side panel. Note: if coat rod is needed, this is the time to install it in the first locker.



- 6) Repeat sets 3,4, and 5 until the number of units for the group are assembled.
- 7) Bolt end side panel with hook and rear leg if need to the last back panel, top, bottom, and shelf.
Note: Rear legs should not exceed 54" spacing.



- 8) Place doors and frames on with sides, tops and bottoms inside the frames and bolt to sides, tops and bottoms. Note: If adjoining two or more banks in a row, omit door frame bolts on the ends of the banks to stitch locker banks together.



- 9) Set banks in place. Stitch adjoining locker banks together and anchor to wall and/or floor.
10) Adjust doors and latches to operate without binding.
11) Attach number plates to front of door with rivets.
12) Install locks if needed.

Top Tier Storage Products

6501 Centerville Business Parkway
Centerville, Ohio 45459

1-866-417-8424

www.toptierstorageproducts.com

Warning: Lockers Must Be Anchored Properly To Prevent Injury From Tipping Over.