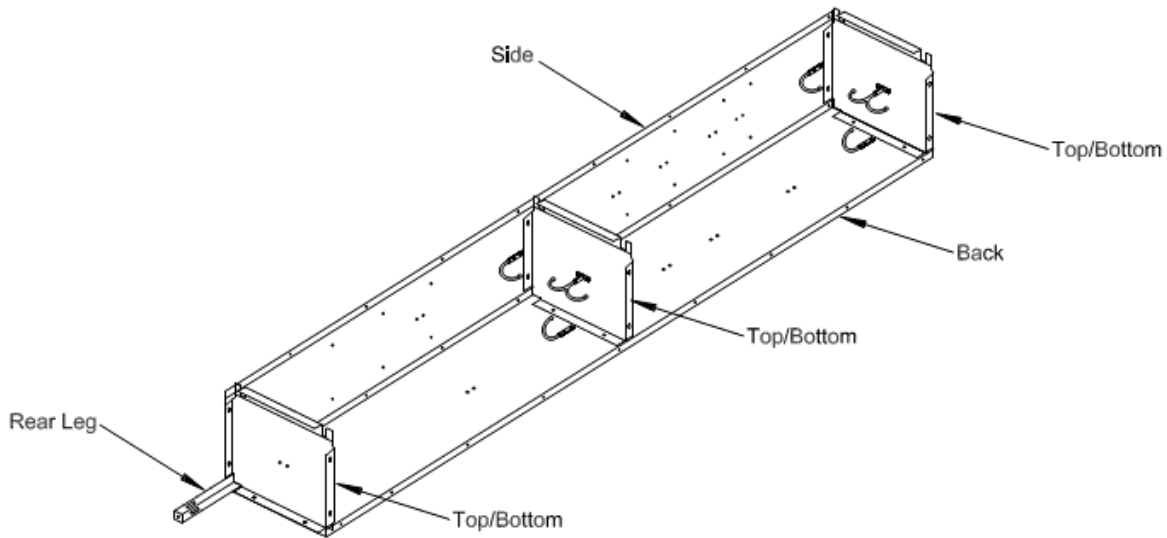


# TOP TIER

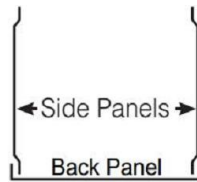
STORAGE PRODUCTS

## 2-Tier Locker Assembly

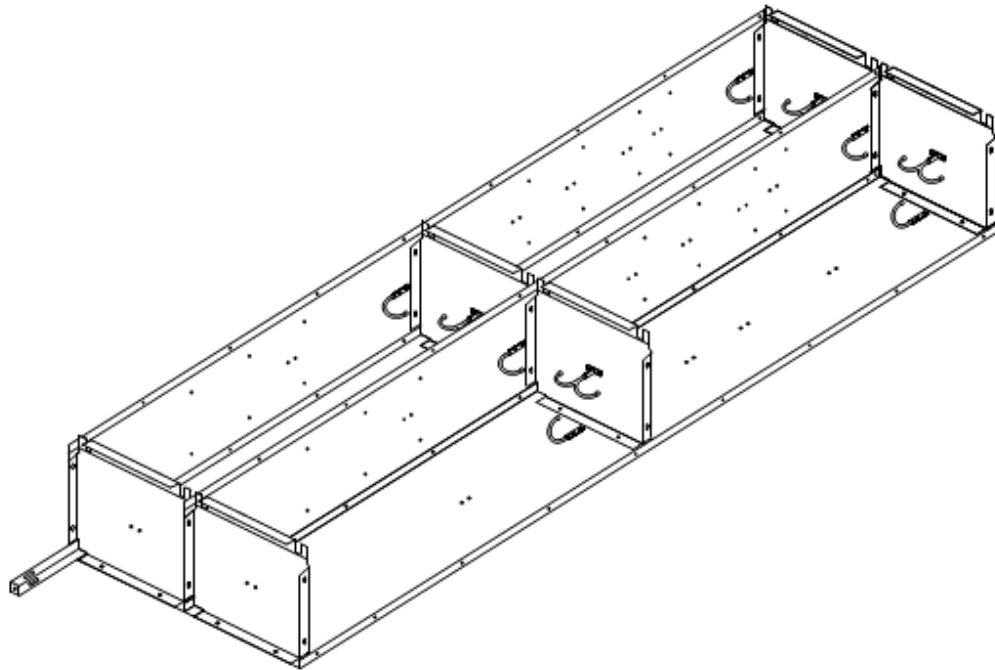


Note: finger tighten all nuts and bolts until locker is fully assembled. Locker screws are designed to strip for security when tightened.

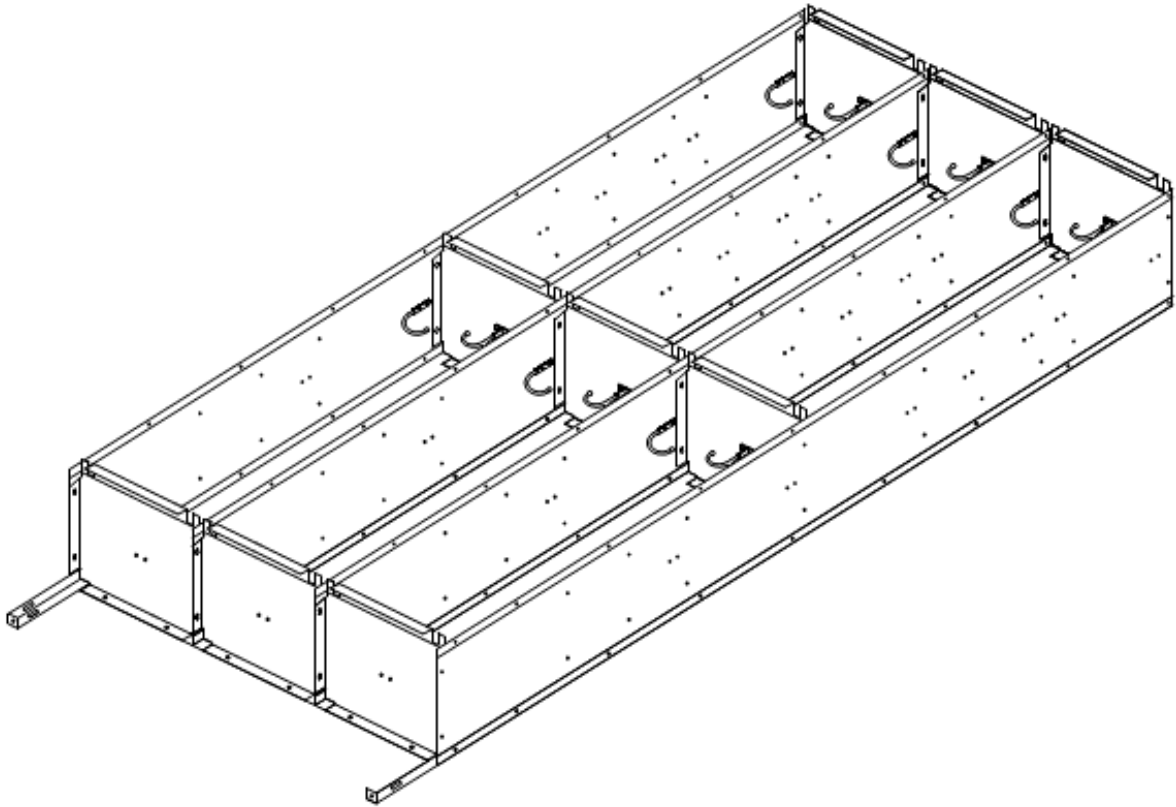
- 1) Lay back panel on floor or saw horses with flanges facing up. Bolt hook to back panel. The hook bolts to first and fifth set of holes from the top about 1-3/4" and 37-1/4" down from the top.
- 2) Bolt top and bottom to the back panel. Top, bottoms and intermediates are identical.



- 3) Bolt side panel inside of back panel flange. If legs are needed bolt leg to the bottom two holes of back and side panels. Note: Do not use an impactor or drill to tighten rear leg screws. It is best to use nut driver or socket wrench to not over tighten for adjustability.
- 4) Bolt hook and intermediate shelf (middle top/bottom) to side panel. Use sixth set of holes down about 36" from top.

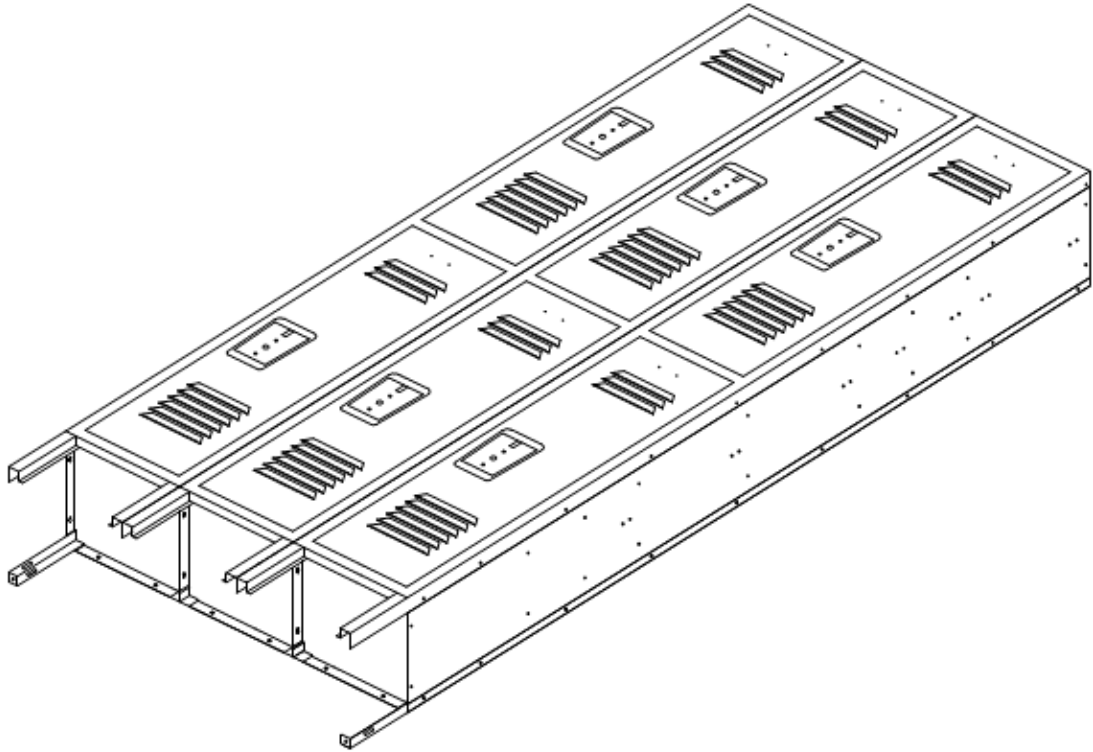


- 5) Bolt hook on next back. Bolt top and bottom to the next back.
- 6) Bolt side panel, top bottom, and the next back to the first assembled section.
- 7) Bolt shelf and hooks on both side of the second side panel. Note: if coat rod is needed, this is the time to install it in the first locker.

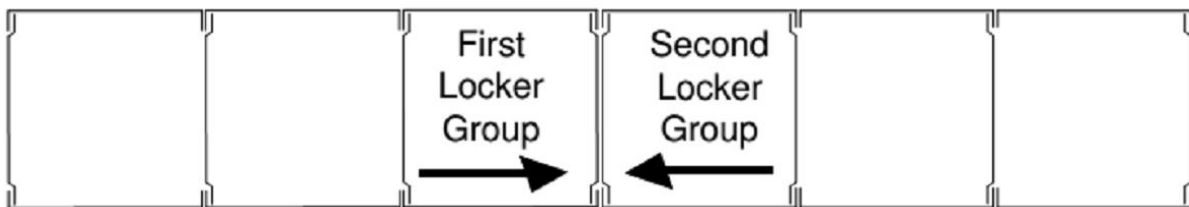


- 8) Repeat steps 5,6, and 7 until the number of frames for the group are assembled.
- 9) Bolt end side panel with hook and rear leg if needed to the last back panel, top, bottom, and shelf.

Note: Rear legs should not exceed 54" spacing.



- 10) Place doors on the bodies with sides, tops and bottoms inside the door frames and bolt to sides, tops and bottoms. Note: if adjoining two or more banks in a row, omit door frame bolts on the ends of the banks to allow them to be stitch together.



- 11) Set banks in place. Stitch adjoining locker banks together and anchor to wall and/or floor.
- 12) Adjust doors and latches to operate without binding.
- 13) Attach number plates to front of doors with rivets.
- 14) Install locks if needed.

**WARNING: Lockers Must Be Anchored Properly To Prevent Injury From Tipping Over.**